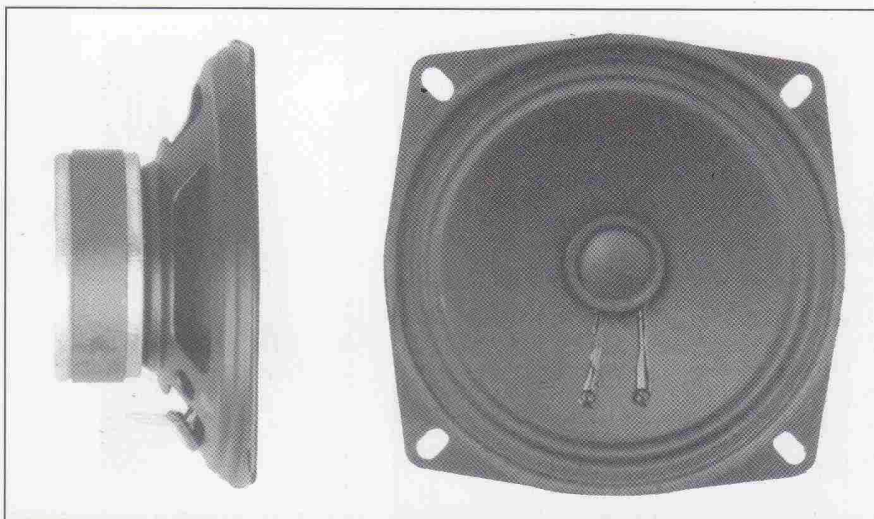
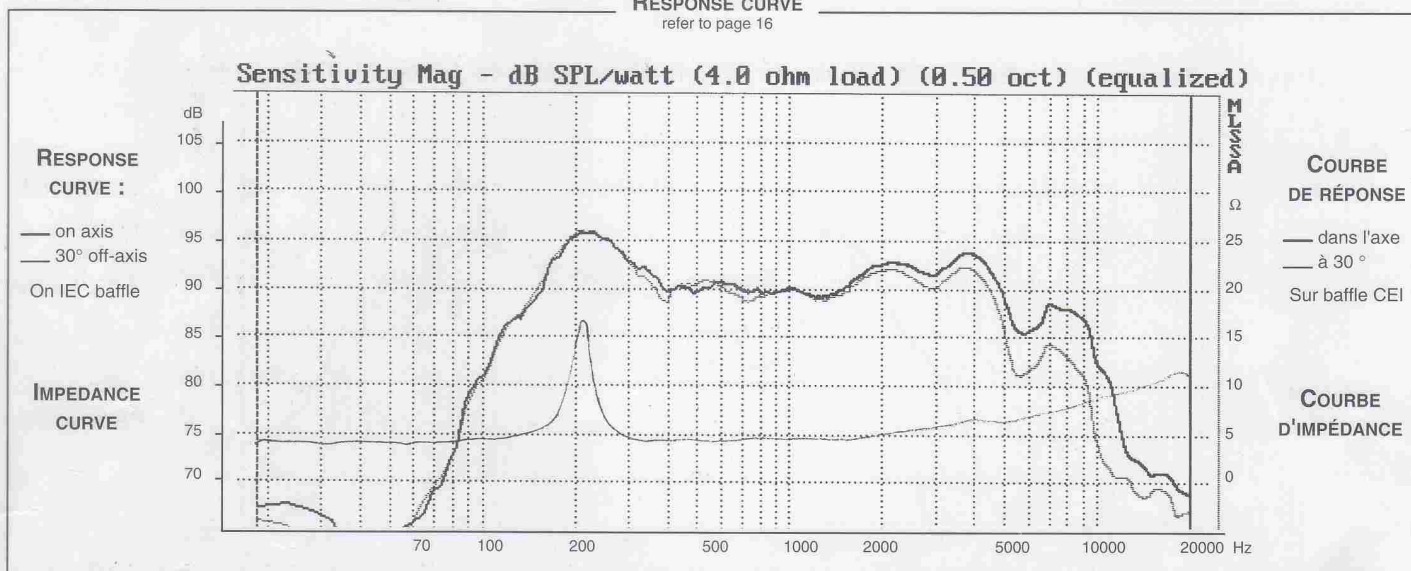


Paper cone  
Shallow chassis  
High temperature voice coil  
Possible automotive application (4Ω)

Cône papier  
Profondeur réduite  
Bobine haute température  
Application automobile possible (4Ω)



**RESPONSE CURVE**  
refer to page 16

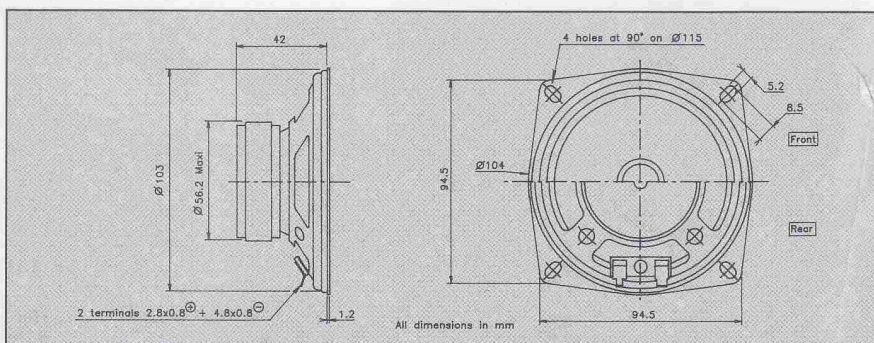


**SPECIFICATIONS**

Technical Characteristics	Symbol	Value	Units
<b>PRIMARY APPLICATIONS</b>			
Nominal Impedance	Z	4	Ω
Resonance Frequency	Fs	207	Hz
Nominal Power Handling	P	10	W
Sensitivity	E	90	dB
<b>VOICE COIL</b>			
Voice coil diameter	Ø	20	mm
Voice coil length	h	4,3	mm
DC Resistance	Re	3,5	Ω
Former	-	Aluminium	-
<b>MAGNET</b>			
Magnet dimensions	Ø x h	55 x 12	mm
Magnet weight	m	113.10 <sup>-3</sup>	kg
Force factor	BL	2,12	NA <sup>-1</sup>
Linear excursion	Xmax	±0,15	mm
<b>PARAMETERS</b>			
Total Q Factor	Qts	1,59	-
Moving Mass	Mms	1,97.10 <sup>-3</sup>	kg
Volume Eq. of Air at Cas	Vas	1,7.10 <sup>-3</sup>	m <sup>3</sup>
Mass of speaker	M	340.10 <sup>-3</sup>	kg

This shallow stamped steel chassis (depth 42 mm) has been designed for demanding applications (industry, automotive - 4 Ω) where limited space is available.

Ce haut-parleur de faible profondeur (42 mm) est conçu pour un environnement exigeant (industrie, automobile - 4 Ω) qui requiert un encombrement limité.



VE100A4 W04PPK2021

Please refer to method of measurement and measurement conditions page 15 to 19.

Audax may, without prior notification modify the specifications on its products further to research and development requirements.

100851A